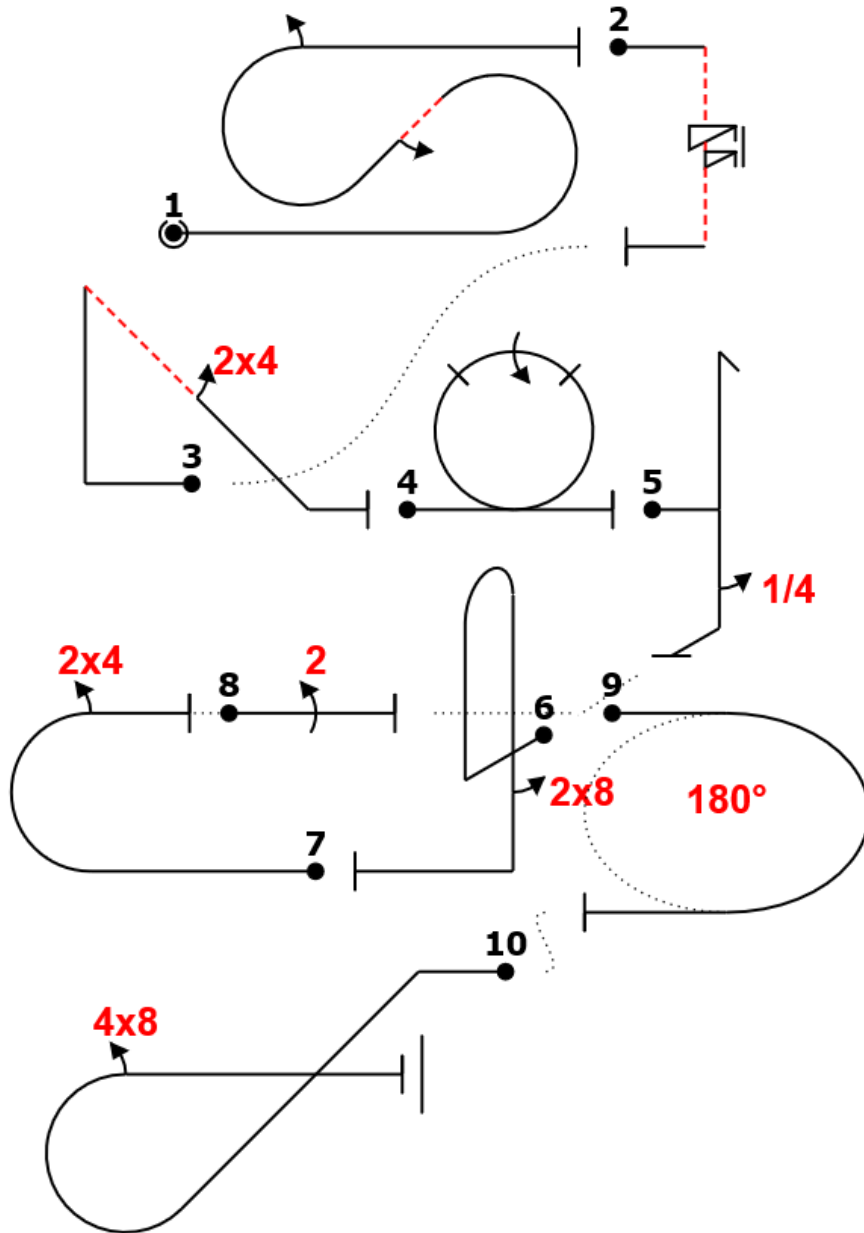
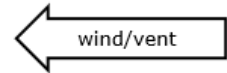


Anhang 2 Programme

2.1 SPORTSMAN

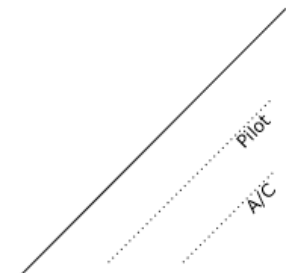


|                  |                                   |          |
|------------------|-----------------------------------|----------|
| Ballenstedt 2021 |                                   | Form B   |
| Pilot ID         | German-Aerobatics Sportsman Known | Flight # |



| Power                |          |    |    |
|----------------------|----------|----|----|
| Fig                  | Aresti   | K  |    |
| 1                    | 7.5.7.1  | 15 | 23 |
|                      | 9.1.4.2  | 4  |    |
|                      | 9.1.3.2  | 4  |    |
| 2                    | 1.1.6.3  | 10 | 13 |
|                      | 9.11.1.6 | 3  |    |
| 3                    | 1.2.7.1  | 13 | 18 |
|                      | 9.4.4.2  | 5  |    |
| 4                    | 7.4.1.1  | 10 | 18 |
|                      | 9.1.3.4  | 8  |    |
| 5                    | 5.2.1.1  | 17 | 19 |
|                      | 9.1.5.1  | 2  |    |
| 6                    | 8.4.1.1  | 13 | 16 |
|                      | 9.8.5.1  | 3  |    |
| 7                    | 7.2.2.1  | 6  | 11 |
|                      | 9.4.3.2  | 5  |    |
| 8                    | 1.1.1.1  | 2  | 11 |
|                      | 9.2.3.4  | 9  |    |
| 9                    | 2.2.1.1  | 4  | 4  |
| 10                   | 8.5.3.3  | 10 | 17 |
|                      | 9.8.3.2  | 7  |    |
| <b>Total K = 150</b> |          |    |    |

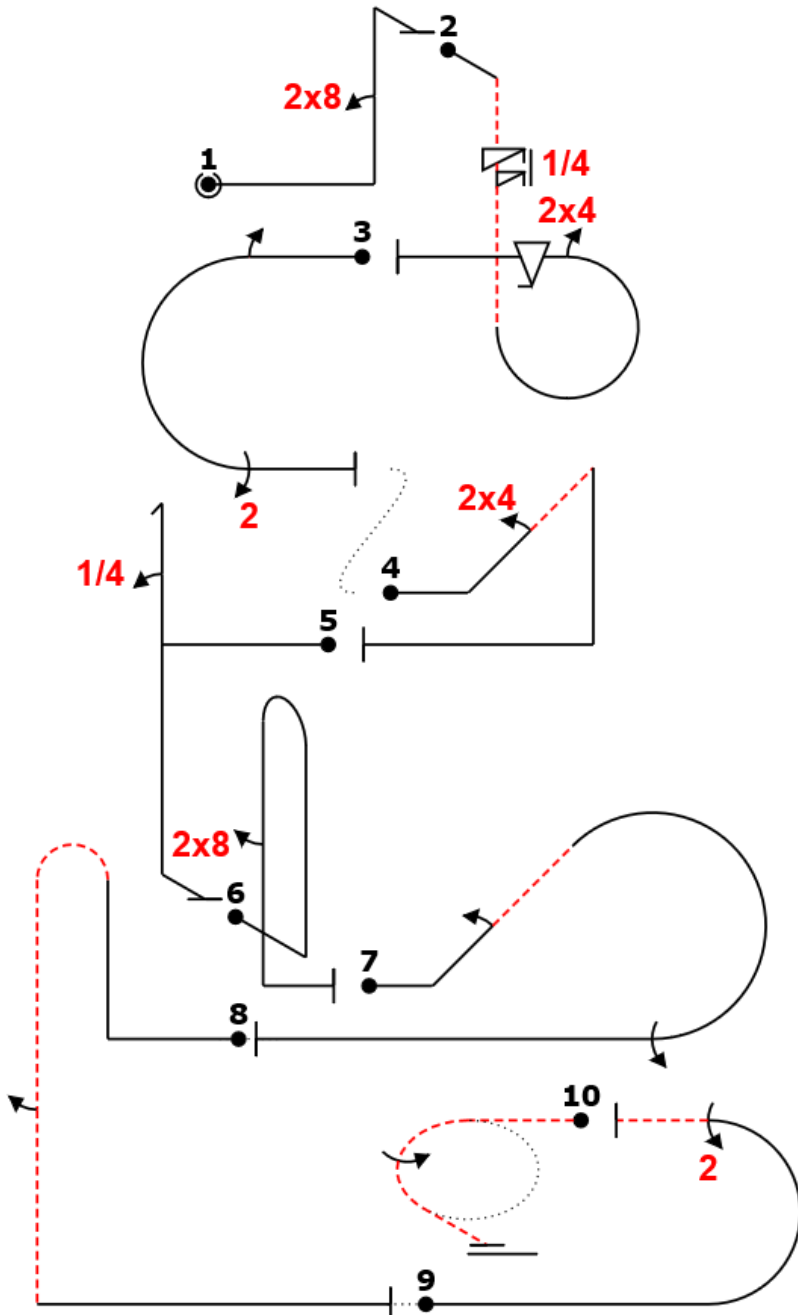
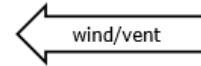
ac(2)2e'' /1v6s (-18,12) ~k24e'' ^+o1e'' /'eh4 (-3,2) b.'8~ ~+m24~ (-2,0) 22 (7,0) 8% ^\*2j (0,3) .3rc48



2.2.a **entweder**: Intermediate Default

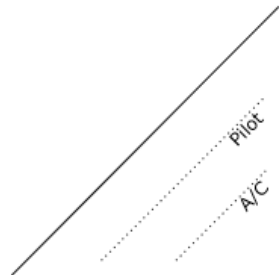


|                  |   |          |
|------------------|---|----------|
| Ballenstedt 2021 |   | Form B   |
| Pilot ID         | German-Aerobatics Intermediate Free Known (default) | Flight # |

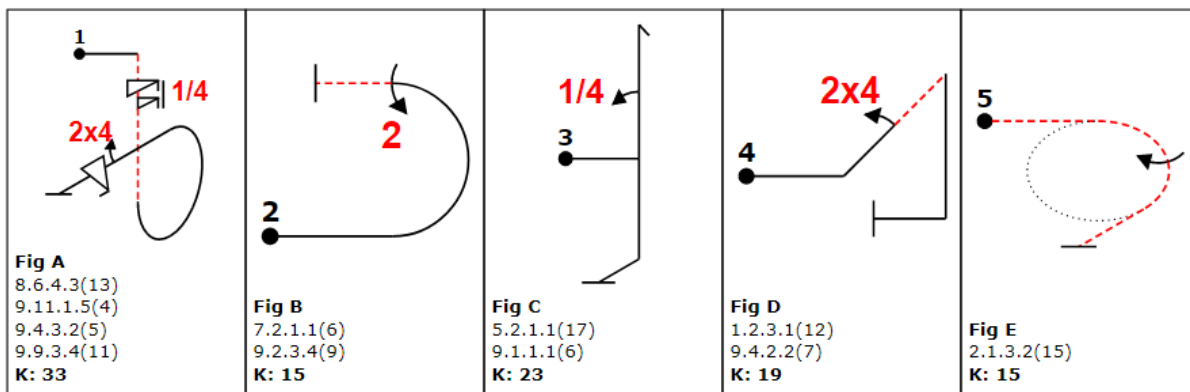


| Power                |          |    |    |
|----------------------|----------|----|----|
| Fig                  | Aresti   | K  |    |
| 1                    | 1.1.6.1  | 10 | 17 |
|                      | 9.8.1.1  | 7  |    |
| 2                    | 8.6.4.3  | 13 | 33 |
|                      | 9.11.1.5 | 4  |    |
|                      | 9.4.3.2  | 5  |    |
|                      | 9.9.3.4  | 11 |    |
| 3                    | 7.2.3.3  | 6  | 19 |
|                      | 9.1.3.2  | 4  |    |
|                      | 9.2.3.4  | 9  |    |
| 4                    | 1.2.3.1  | 12 | 19 |
|                      | 9.4.2.2  | 7  |    |
| 5                    | 5.2.1.1  | 17 | 23 |
|                      | 9.1.1.1  | 6  |    |
| 6                    | 8.4.1.1  | 13 | 16 |
|                      | 9.8.5.1  | 3  |    |
| 7                    | 8.5.2.1  | 10 | 24 |
|                      | 9.1.2.2  | 6  |    |
|                      | 9.1.3.4  | 8  |    |
| 8                    | 8.4.3.1  | 15 | 19 |
|                      | 9.1.5.2  | 4  |    |
| 9                    | 7.2.1.1  | 6  | 15 |
|                      | 9.2.3.4  | 9  |    |
| 10                   | 2.1.3.2  | 15 | 15 |
| <b>Total K = 200</b> |          |    |    |

/-ev'8' 5sirp,24,6~ 5% ,2a,22 (-2,7) '24't'eee ->4h...' . 'b',8..'e'' 6% ''e''''''''2rc1 (3,8) -'pb..'.'''2...'eeee- (-2,8) 3% ->en22-  
-1j1-

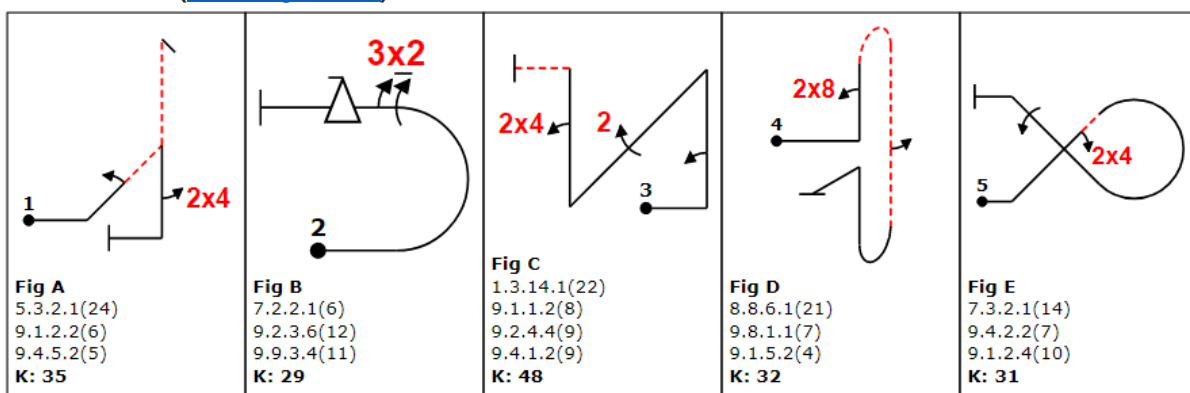


**2.2.b oder: Intermediate (CIVA Figure Set)**

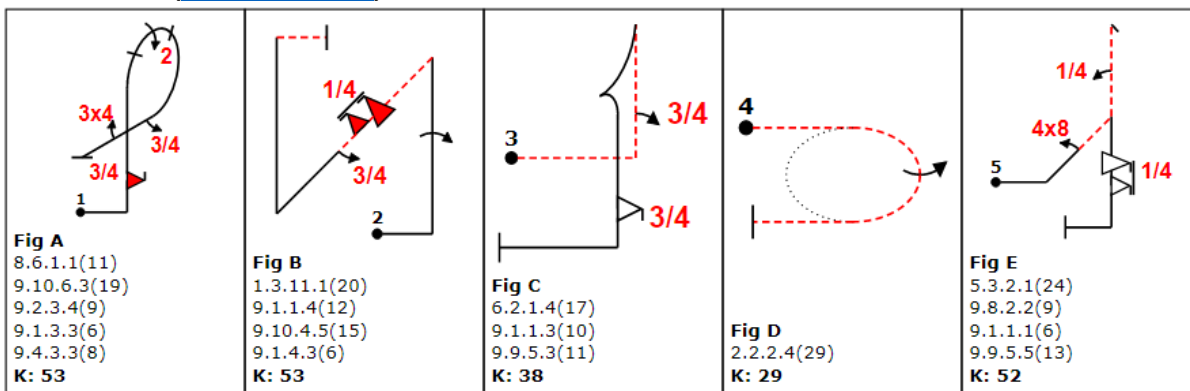


Wenn das Programm vom Teilnehmer zusammengestellt wird

**2.3 Advanced (CIVA Figure Set)**



**2.4 Unlimited (CIVA Figure Set)**



Note that for 2021 the versatility requirement for "At least one from either 2.2.3 to 2.2.7, or 2.3.2 to 2.3.6, or 2.4.2 to 2.4.8" in the Unlimited Power Free figures is waived. The 2.2.2.4 figure-D above is thus the sole Rolling Turn required in Unlimited Power Programme-1 sequences.